

SD120

Barcode Scanner



Introduction

The SD120 linear imager barcode scanner is a reliable, economical contact type bar code reader suitable for a wide range of environments. The SD120's features and price make it the best solution for retail and light industrial applications.

The SD120's flexible, multiple interface design supports keyboard wedge, RS232 and USB interface by simply replacing the cable. This scanner provides reliable scanning depth from contact to 60mm, its powerful built-in decoder reads and discriminates all major 1D symbologies, reducing processing time and labor costs, while increasing accuracy. The decoder also allows editing and modifying scanned data before sending it to the host device.

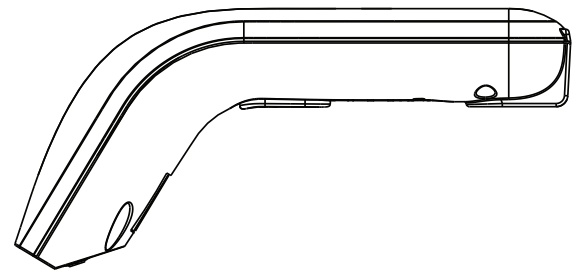
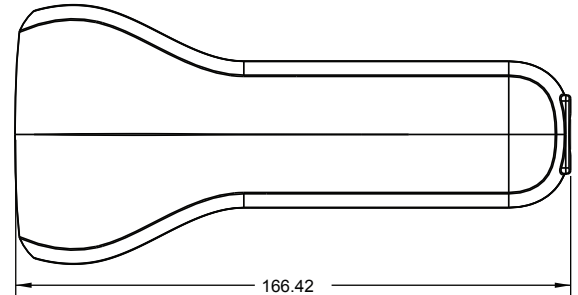
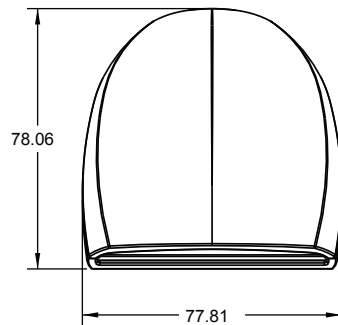
Barcode menus provide extensive configuration options. The settings can then be cloned to other readers through the use of custom bar code labels.

CHAMPTEK[®]
We value your ID's

www.champtek.com

Features

- Economical and durable
- Ergonomic design
- Easy to use and configure
- Complete data formatting and editing capabilities
- Extensive connectivity
- Reads most commonly used bar code symbologies



UNIT:mm

Specifications

Physical Characteristics

Length	166.42mm
Width	77.81mm
Height	78.06mm
Weight	Approximately 4.23 oz. (120 g) (w/o cable)
Width Of Window	Width Of Field 80mm (60mm at window)
Housing Material	ABS

Electrical

Processor Type	32bits
Voltage	DC +5V ±5%
Power Consumption	125mA
EMC	FCC Part 15 Class B, EN55022, EN55024

Operational

Light Source	Visible red light 632nm LED
Interfaces	RS232, KBW, USB and USB virtual com
Cable	Straight 5 ft.
Connector	RJ45 phone jack connector
Reading Indicator	Beep

Environmental

Operating Temp	0 °C to 50 °C (32 °F to 122 °F)
Storage Temp	-20 °C to 70 °C (-4 °F to 158 °F)
Relative Humidity	20% to 95% (Non-Condensing)
Drop	47.24 inches (120cm) drop on concrete surface
Ambient Light	5,000 Lux Max

Scan Performance

Depth of Field	60mm@20mil/0.5mm, PCS90%(Contact type)
Scan Rate	120 scans per second
Resolution	4mil/0.1mm@PCS90%

Readable Symbologies

GS1 DataBar, UPC / EAN / JAN, Code 39, EAN128, Full ASCII, Code 128, Inteleave 25, Martrix 25, CODABAR / NW7, Code11, MSI / PLESSEY, Code93, China Postage, Code 32 / Italian Pharmacy

CE, FCC and RoHs compliant 

Due to Champtek's / Scantech ID's continuing product improvement programs, specifications and features are subject to change without notice.