

FS310

Fixed Mount CCD Scanner



General Description

This brand-new designed handheld CCD scanner has inherited the characteristic of “high performance with low price” from its previous series. Aside from the principle of excellence mechanical design, it also installs with many user-friendly operations; extra-large trigger enable user to access the trigger in any scanning position, detachable cable, and 2 years product warranty; these have added-up additional values to it.

Performance: Its auto-shuttle-emulation-like smart detection, offers superior decoding performance on a reading speed up to 500 scans per second and up to 500mm reading depth for the majority of 1D bar codes and GS1 DataBar™ codes. A stand option can be ordered to facilitate hand-free “continuous mode” reading options.

With its built-in automatically turn off reading and switch on reading as it sense a bar code moving in front of it, can extend its lifespan. its 100,000 LUX ambient light resistance, hand-on software-programming function, this FS310 is the best choice ever for various fixed mount/build in OEM bar code scanning application.

Features

- Linear imager fixed mount scanner which offers superior 1D scanning.
- Compact and lightweight design is flexible for external application requirement.
- Easily integrated with various OEM application.
- Center decoding utility to eliminate the need to position items precisely.

Specifications

Physical Characteristics

Weight

Body weight Approx. 3.98 oz (113 g)

Cable weight(USB) Approx. 4.24 oz (120 g)

Material Polycarbonate

Cable Length 5FT. (150cm)

Dimension 56 mm W x 69 mm D x 28 mm H

Performance

Light Source Visible Red light 632nm LED

Sensor Linear CCD Sensor

Processor Type 32-bit

Operating Freq. 8 MHz (Internal)

Scan Rate Smart detection, up to 500 scans per second $\pm 10\%$

Reading Distance Up to 500mm@20mil/0.5mm PCS90%, Code39

Print Contrast Ratio 30%

Resolution 4mil/0.1mm@PCS90%

Reading Angle Test Conditions:Code 39, 10mil/0.25mm, PCS90%

Forward & Backward $\pm 10^\circ \sim 65^\circ (\pm 5^\circ)$

Left & Right $\pm 60^\circ (\pm 5^\circ)$

Ambient Light 100,000 Lux Max. @ Direct sun light

Interfaces

RS232 KB USB

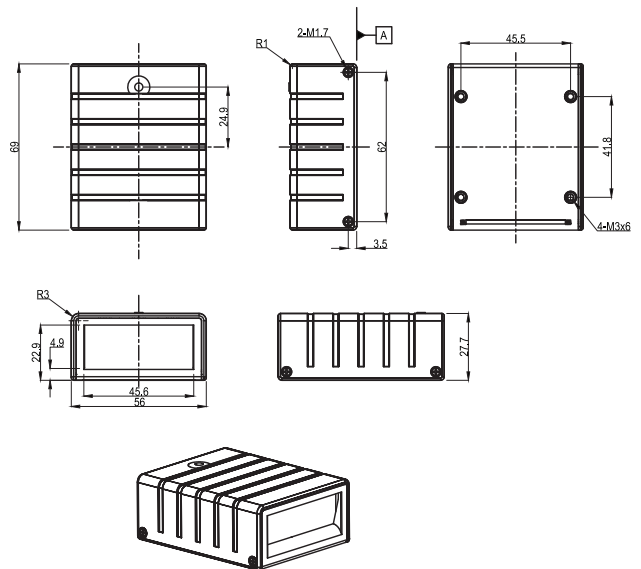
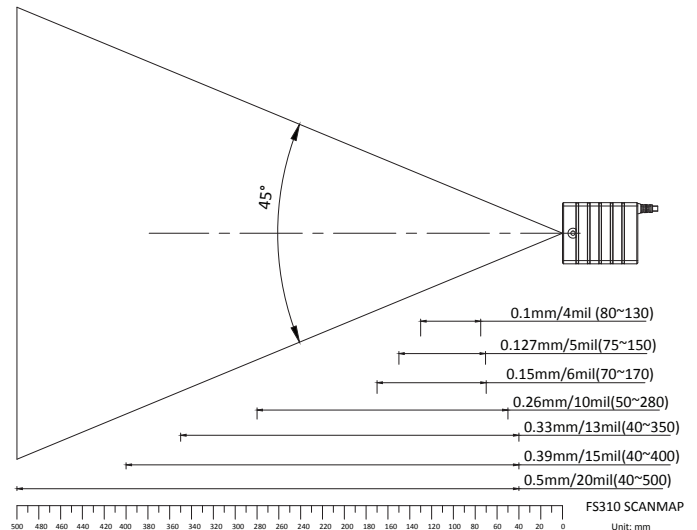
DC Input : 5V $\pm 5\%$

Environmental

Operating Temperature 0°C to 50°C (32°F to 122°F)

Storage Temperature -20°C to 70°C (-4°F to 158°F)

Relative Humidity 20% to 95% (Non-condensing)



Reliability

Life Time

Trigger Switch 1,000,000 times

MTBF(Calculated) 50,000 hours

Thermal Shock

High Temp. 60°C (140°F)

Low Temp. -20°C (-4°F)

Cycle time 30 minutes for high temp. , 30 minutes for low temp.

Cycles 24 cycles

Cable Bending Test

25,000 times minimum (30 times/min @ 500g/90°)

Drop

47.24 inches(120cm) drop on Concrete Surface

Due to Champtek's / Scantech ID's continuing product improvement programs, specifications and features are subject to change without notice.